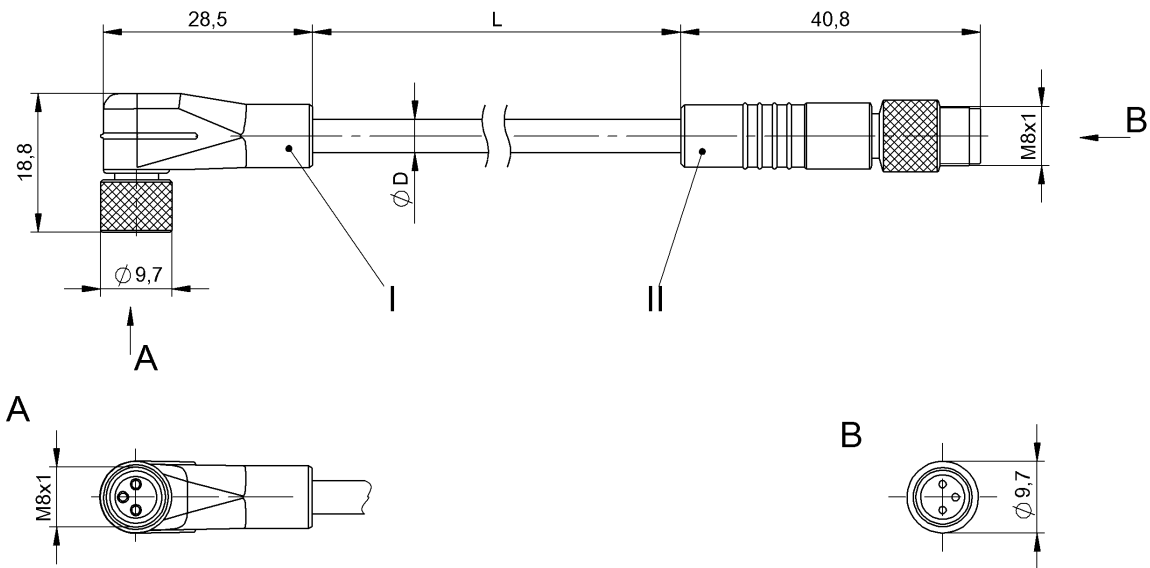


Double-Ended Cordsets  
**BCC W323-W313-30-602-BW8334-020**  
**Order Code: BCC0KAC**

**BALLUFF**



**Basic features**

Application	Welding area
Approval/Conformity	CE WEEE

**Display/Operation**

Function indicator (Pin 4)	LED yellow
Power indicator	LED green/no

**Electrical connection**

Bending radius min., fixed cable	8 x D
Bending radius min., flexible cable	15 x D
Cable	TPE welding spark resistant gray, 2 m
Cable diameter D	4.40 mm ±0.20 mm
Conductor cross-section	0.34 mm <sup>2</sup>
Connection 1	M8x1-Female, angled, 3-pin, A- coded
Connection 2	M8x1-Male, straight, 3-pin, A- coded
Number of conductors	3
System	Molded/Molded

**Electrical data**

Operating voltage U <sub>b</sub>	30 VDC
Rated current (40 °C)	4.0 A

**Environmental conditions**

Cable temperature, fixed routing	-50...130 °C
Cable temperature, flexible routing	-40...125 °C
IP rating	IP65/IP65

**Material**

Cable jacket material, note	welding spark resistant
Cable jacket, material	TPE
Material contact carrier	PUR, special/PUR, special
Material contacts	Bronze/Brass
Material cover nut	Brass PTFE coated/Brass PTFE coated
Material grip	PUR, special/PUR, special

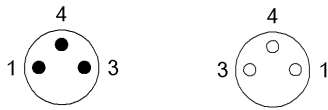
**Mechanical data**

Cable jacket, color	gray
Cable length L	2.00 m
Tightening torque pigtail	0.4 Nm/0.4 Nm

**Remarks**

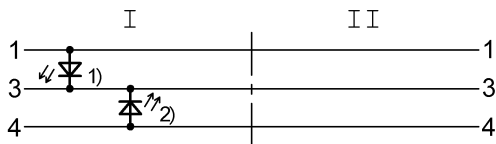
Flame-retarding  
 Maximum temperature at outer jacket from weld spatter/beads short-time 800°C.  
 Enclosure rating per IEC 60529, only in screwed state with the associated mating piece.

## Connector Drawings



II	I
PIN 1: brown	PIN 1: brown
PIN 3: blue	PIN 3: blue
PIN 4: black	PIN 4: black

## Wiring Diagrams



1) Green LED = Power  
2) Yellow LED = Function